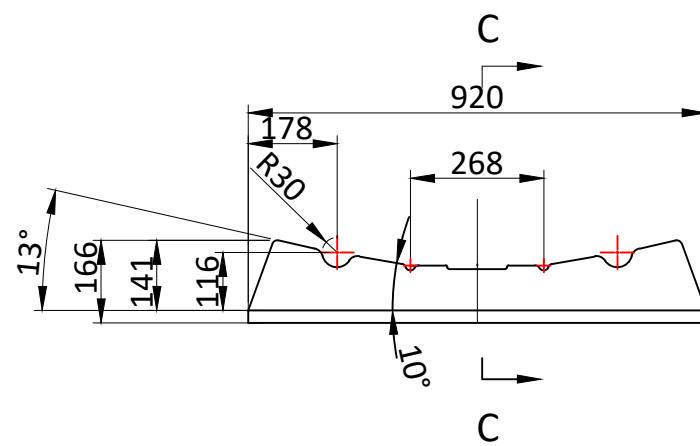
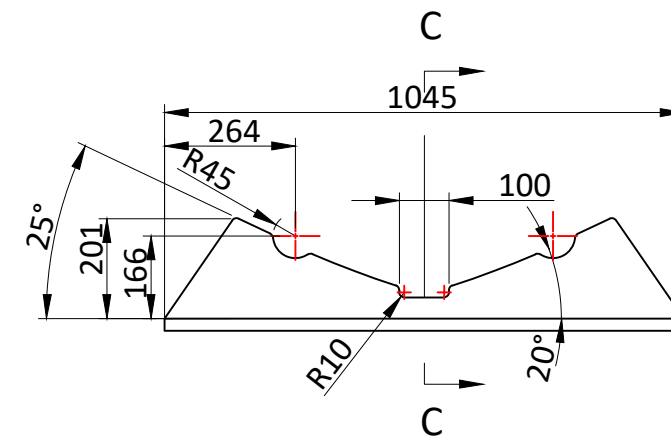


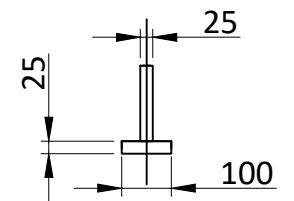
LONGITUDINAL PROFILE




TRANSVERSAL SECTION "A"



TRANSVERSAL SECTION "B"



TRANSVERSAL SECTION "C"

	UL220 CHOCK		DWN: QCJ
			APPROVED: XQC
info@highfieldboats.com	DWG:	SCALE:	DATE: 2024.12.20
(C) Copyright reserved. No unauthorized use allowed. All intellect - ideas - concepts remain the property of Highfield Boats			